

# meateq

MEAT PROCESSING EQUIPMENT



## MEATEQ SERIE 200

MEATEQ grinders are made for the future with new design, construction and development from experience of meat grinders. Extremely strong construction for long mechanical life and designed for heavy duty operation. The machine body is made of thick solid stainless steel. MEATEQ grinders are in accordance with the safety regulations as to European standard for CE-Marks.

# MEATEQ GRINDERS SERIE 200

## Technical Specification

MEATEQ grinder 200 is used for grinding products of frozen or fresh products such as meat, fat, fish, bone, slaughterhouse offal etc. MEATEQ grinders serie 200 are equipped with a generous sized hopper.

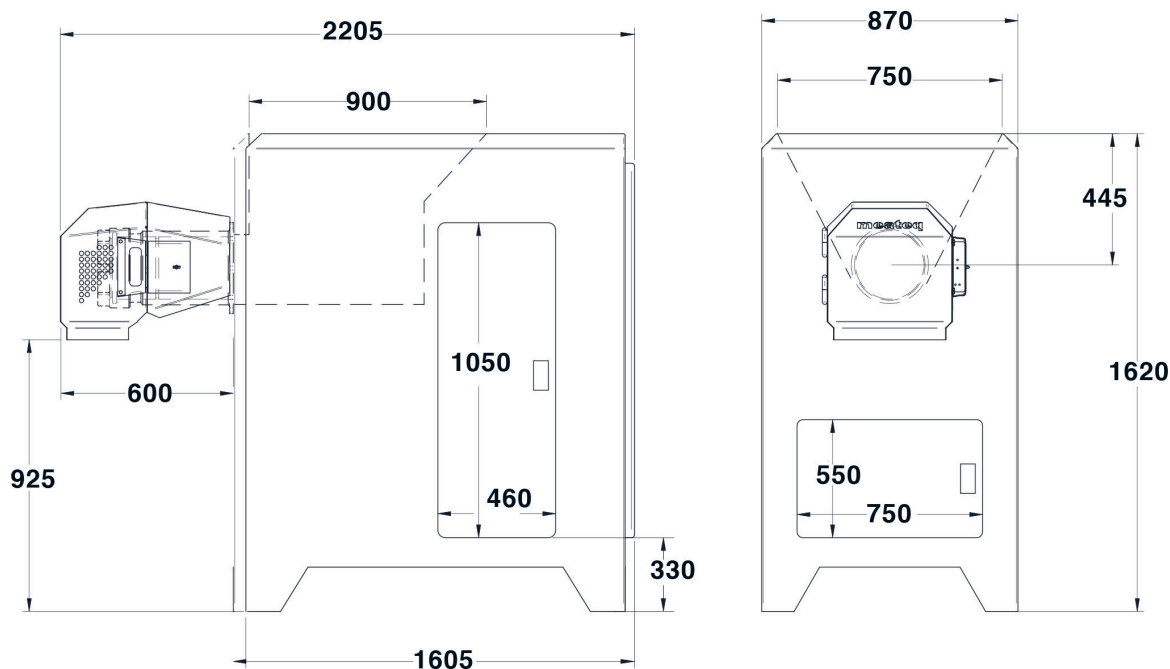
MEATEQ grinders serie 200 has a capacity of grinding aprox up to 10 ton/hour depending on feed speed, type of products and size of holes in hole plates.

MEATEQ grinders are fitted with a moisture-proof IP54 standard motor, gearbox, V-belt transmission and electric starting equipment.

The grinders have strong bearings for axial pressure.

MEATEQ grinders are equipped with a safety guard over the outlet as standard and security switches for the guard and service doors.

MEATEQ grinders serie 200 have knife sets with a diameter of 210 mm. The hole plates and knives are available in most existing diameters and knife designs depending of products to be ground. The grinder has a choice of one or two knife system depending on the product to be ground.



### Motor 400 V up to 90 Kw / 125 Hp

#### OPTIONS:

- ▶ Extra hopper height 500 mm, capacity 600 liter.
- ▶ Trolley for feed screw.
- ▶ Feed screw made of stainless steel.
- ▶ Loader for standard bins.
- ▶ Motor alternative.